

SunSDR2 QRP

DUC/DDC HF/6M TRANSCEIVER

Coming soon



WWW.EESDR.COM

Software Defined Radio

The new SunSDR2 QRP transceiver will surprise you! This small SDR transceiver uses DUC/DDC technology to produce performance that will impress you immediately. Direct signal conversion provides clear RX audio and puts a clean signal on the air. If you want to explore the future of ham radio, the SunSDR2 QRP is the perfect way to get started with SDR, Software Defined Radio!

Modes.....	LSB/USB/DSB/CW/AM/SAM/NFM/WFM
General coverage receiver, MHz.....	0.09-65
Frequency coverage in TX mode, MHz...All HF amateur frequencies	
Sensitivity, uV.....	0,1
Maximum transmitter's output power in HF, W.....	5
Blocking dynamic range in HF mode (BDR), dB.....	110
RF ADC clock frequency, MHz.....	125
RF ADC resolution, bit.....	14
Built-in audio codec resolution, bit.....	24

RF DAC clock frequency, MHz.....	125
RF DAC resolution, bit.....	14
Recommended power supply, V.....	12
Supply voltage range, V.....	12-15
Local oscillator's stability, ppm.....	+/- 0.5
Maximum consumption current, A.....	3
Operating temperature, °C.....	0 - +75
Dimensions, mm.....	65x100x35
Weight, kg.....	0.5



**EXPERT
ELECTRONICS**

Expert Electronics LLC.
www.eesdr.com
info@sunsdr.com
+7 (8634) 38-30-19

SunSDR2 QRP

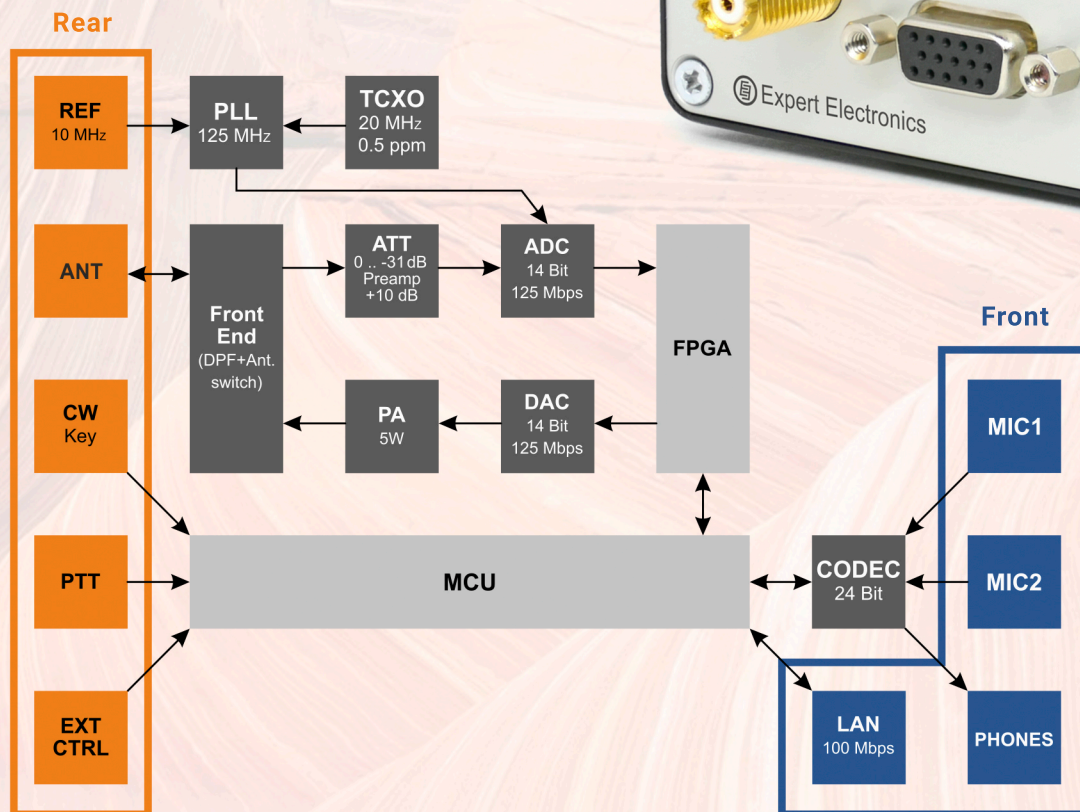
Features:

- DUC/DDC Architecture
- ADC 14 bit 125 MHz
- DAC 14 bit 125 MHz
- Maximum output power 5W
- Quick hardware formed CW
- Two independent receiver channels
- I/Q stream up to 312 kHz
- Reception from 9 kHz to 55MHz
- Oversampling reception up to 800 MHz
- Wide spectrum scope up to 60 MHz
- Bandpass filters in the receiver's front end
- Onboard high quality 24 bit audio codec
- LAN interface for connection to PC
- External devices control
- CAT and VAC interfaces for connection to third-party software like loggers and digital modes software
- Reception of Broadcasting FM stations
- Contest special functions
- Small size

PC system requirements:

- CPU Intel Core i3 1.6 GHz
- RAM 2 GB
- Ethernet adapter 10/100 BASE-T
- Video card, minimum resolution 1024x600, 128 MB, OpenGL 1.5 support and higher
- OS Windows XP or OS Windows 7 with the native drivers installed for all the devices
- CD-ROM for software installation

Block diagram



**EXPERT
ELECTRONICS**

Expert Electronics LLC.
www.eesdr.com
info@sunsdr.com
+7 (8634) 38-30-19